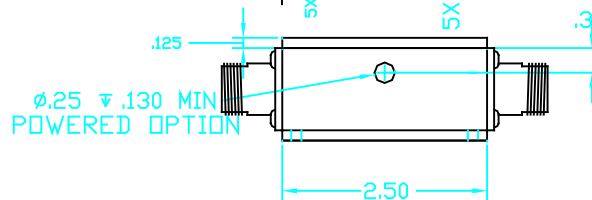
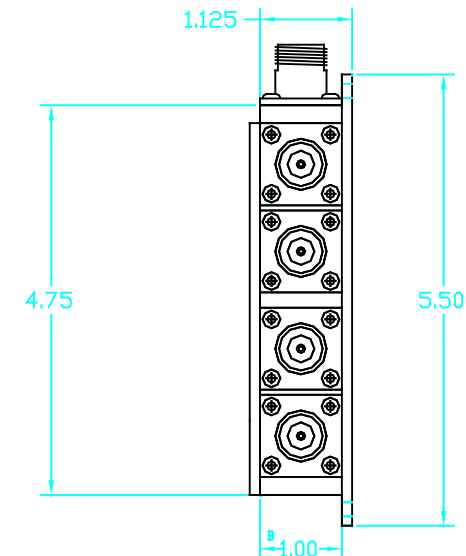
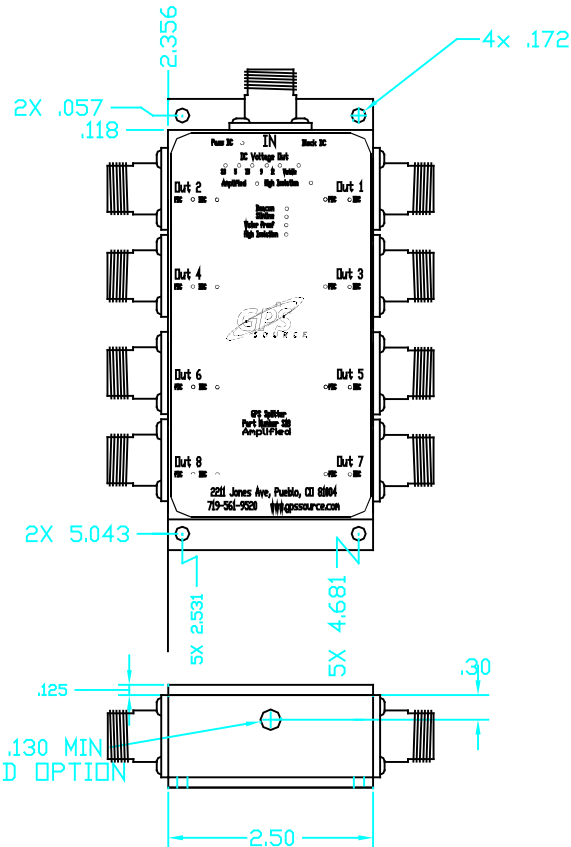
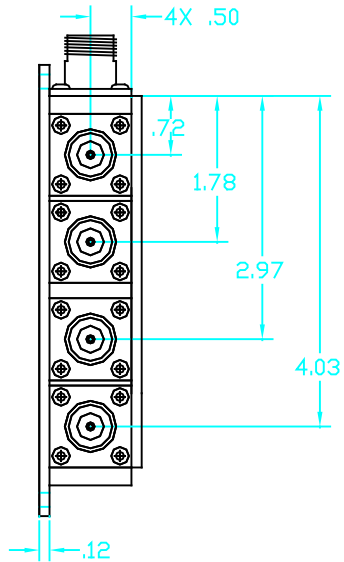
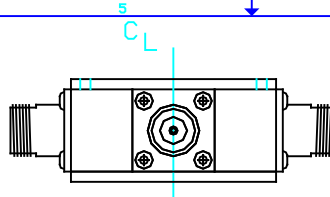


NOTES:

1. REMOVE ALL BURRS AND SHARP EDGES.
2. MATERIAL: 6061-T6 ALUMINUM
3. FINISH: ELECTROLESS NICKEL PLATED MIL-C-26074C, CLASS 1, .00028-.00032 MAX. THICKNESS.

REVISIONS				
DESCRIPTION	REV	ECO	BY	DATE
PRELIMINARY RELEASED	001	-		
	002	-		



NEXT ASSEMBLY USED ON		MATERIAL		FINISH			DIMENSIONS ARE IN INCHES. TOLERANCES: .XX = ± .01 .XXX = ± .005 .XXXX = ± .0005 ANGULAR = ± 1° DIA CONCENTRIC WITHIN .005 TOTAL INDICATOR RUNOUT. SURFACE 32 OR BETTER. DIMENSIONAL LIMITS APPLY TO FINISHED PART.	DRAWN: ASSDTD CHECKED: PROJ ENG: APPD:	25 FEB 2006 SCALE: 1/1	TITLE: HOUSING, 1X8 N Connectors SIZE: C DWG NO: Housing_CON_1X8_N_wb_001.dwg SHEET: 1 OF 1	REV: 001
-----------------------	--	----------	--	--------	--	--	---	---	---------------------------	--	----------